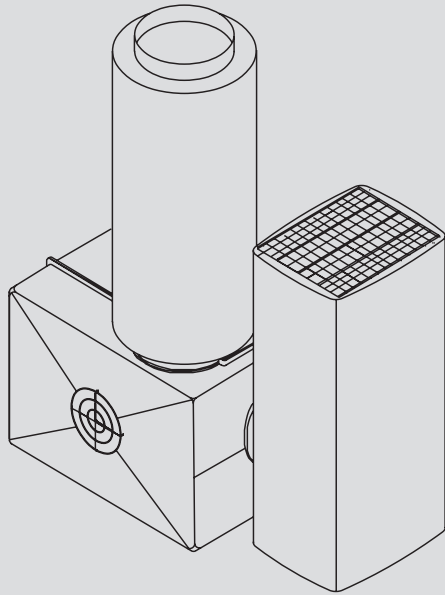


# Silencer Package

Reduce Blower Motor Noise



**Proto-Vest** Inc.®



## Features & Benefits

- Reduces noise to meet OSHA regulations
- Decreases noise generated by the impeller, rapidly moving air drawn into the blower and discharged air from the blower assembly
- Easy Installation
- Requires very low maintenance
- Available option for any Proto-Vest dryer

# 10X Quieter!

**Lowers Noise Levels  
by about 10 Decibels**

## Why the Proto-Vest Silencer Package?

The Proto-Vest Silencer Package is compatible with all of Proto-Vest dryers, enabling our systems to meet and exceed OSHA noise regulations. Using state-of-the-art materials, which require virtually no maintenance, Proto-Vest has designed three components to comprise the Silencer Package.

### **Blower Inlet:**

Captures the noise escaping the inlet area of the blower assembly.

### **Blower-motor Cover:**

Houses the blower and motor completely to absorb noise emitted from the motor and impeller while providing the assembly additional protection.

### **Riser Can:**

Absorbs the noise created by the blower assembly and the movement of the air as it leaves the blower advancing through the dryer's plenum.

**The Ultimate In Drying Technology**

# Silencer Package

Reduce Blower Motor Noise



## General Description

The Proto-Vest "Silencer Package" was developed to enable our dryers to meet OSHA, federal, state and local noise reduction standards. The OSHA permissible noise exposure is 85 dB for an 8-hour shift. By reducing noise levels into the 70 dB to 80 dB range, you can be assured of a pleasant environment for both your employees and customers. The Silencer Package reduces decibel levels on Proto-Vest dryers on an average of 10 decibels making them approximately 10 times quieter than the un-silenced models!

The Silencing Package is an optional product for any Proto-Vest dryer.

## Decibel Level Readings

**With Silencer (WS)**      **Without Silencer (WOS)**

### Windshear InBay - (2) 30hp Dryer:

WS: 10 ft=88 dBa;	WOS: 10 ft=94 dBa
WS: 20 ft=82 dBa;	WOS: 20 ft=88 dBa
WS: 30 ft=78.4 dBa;	WOS: 30 ft=84.5 dBa
WS: 40 ft=76 dBa;	WOS: 40 ft=82 dBa
WS: 50 ft=74 dBa;	WOS: 50 ft=80 dBa
WS: 60 ft=72.4 dBa;	WOS: 60 ft=78.4 dBa

### Windshear - 30hp Dryer:

WS: 10 ft=76.9 dBa;	WOS: 10 ft=91 dBa
WS: 20 ft=70.9 dBa;	WOS: 20 ft=84.9 dBa
WS: 30 ft=67.4 dBa;	WOS: 30 ft=81.4 dBa
WS: 40 ft=64.9 dBa;	WOS: 40 ft=78.9 dBa
WS: 50 ft=63 dBa;	WOS: 50 ft=77 dBa

### Windshear II - (2) 30hp Dryer:

WS: 10 ft=88 dBa;	WOS: 10 ft=99 dBa
WS: 20 ft=81.9 dBa;	WOS: 20 ft=92.9 dBa
WS: 30 ft=78.4 dBa;	WOS: 30 ft=89.4 dBa
WS: 40 ft=75.4 dBa;	WOS: 40 ft=86.9 dBa
WS: 50 ft=74 dBa;	WOS: 50 ft=85 dBa

### S130 - 30hp Dryer:

WS: 10 ft=76.9 dBa;	WOS: 10 ft=91 dBa
WS: 20 ft=70.9 dBa;	WOS: 20 ft=84.9 dBa
WS: 30 ft=67.4 dBa;	WOS: 30 ft=81.4 dBa
WS: 40 ft=64.9 dBa;	WOS: 40 ft=78.9 dBa
WS: 50 ft=63 dBa;	WOS: 50 ft=77 dBa

### SideShot - 15hp Dryer:

WS: 10 ft=74.5 dBa;	WOS: 10 ft=82.9 dBa
WS: 20 ft=68.5 dBa;	WOS: 20 ft=76.9 dBa
WS: 30 ft=64.9 dBa;	WOS: 30 ft=73.4 dBa
WS: 40 ft=62.4 dBa;	WOS: 40 ft=70.9 dBa
WS: 50 ft=60.5 dBa;	WOS: 50 ft=69 dBa

### SideShot II - 30hp Dryer:

WS: 10 ft=76.9 dBa;	WOS: 10 ft=91 dBa
WS: 20 ft=70.9 dBa;	WOS: 20 ft=84.9 dBa
WS: 30 ft=67.4 dBa;	WOS: 30 ft=81.4 dBa
WS: 40 ft=64.9 dBa;	WOS: 40 ft=78.9 dBa
WS: 50 ft=63 dBa;	WOS: 50 ft=77 dBa

### IP Stripper - 30hp Dryer:

WS: 10 ft=85 dBa;	WOS: 10 ft=91 dBa
WS: 20 ft=79 dBa;	WOS: 20 ft=85 dBa
WS: 30 ft=75.5 dBa;	WOS: 30 ft=81.5 dBa
WS: 40 ft=73 dBa;	WOS: 40 ft=79 dBa
WS: 50 ft=71 dBa;	WOS: 50 ft=77 dBa

### IP330 - 30hp Dryer:

WS: 10 ft=76.9 dBa;	WOS: 10 ft=91 dBa
WS: 20 ft=70.9 dBa;	WOS: 20 ft=84.9 dBa
WS: 30 ft=67.4 dBa;	WOS: 30 ft=81.4 dBa
WS: 40 ft=64.9 dBa;	WOS: 40 ft=78.9 dBa
WS: 50 ft=63 dBa;	WOS: 50 ft=77 dBa

### IP345 - 45hp Dryer:

WS: 10 ft=76.9 dBa;	WOS: 10 ft=91 dBa
WS: 20 ft=70.9 dBa;	WOS: 20 ft=84.9 dBa
WS: 30 ft=67.4 dBa;	WOS: 30 ft=81.4 dBa
WS: 40 ft=64.9 dBa;	WOS: 40 ft=78.9 dBa
WS: 50 ft=63 dBa;	WOS: 50 ft=77 dBa

### TailWind - 30hp Dryer:

WS: 10 ft=85 dBa;	WOS: 10 ft=91 dBa
WS: 20 ft=79 dBa;	WOS: 20 ft=85 dBa
WS: 30 ft=75.5 dBa;	WOS: 30 ft=83.5 dBa
WS: 40 ft=73 dBa;	WOS: 40 ft=79 dBa
WS: 50 ft=71 dBa;	WOS: 50 ft=77 dBa

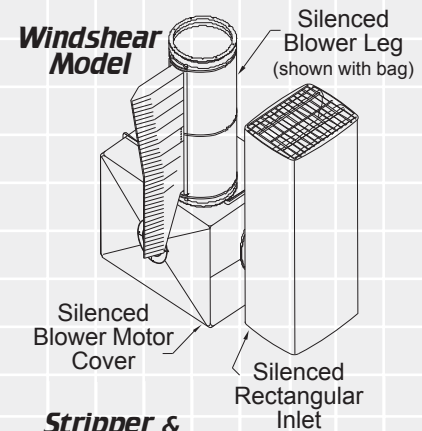
### 90N/90XS - 15hp Dryers:

WS: 10 ft=74.5 dBa;	WOS: 10 ft=82.9 dBa
WS: 20 ft=68.5 dBa;	WOS: 20 ft=76.9 dBa
WS: 30 ft=64.9 dBa;	WOS: 30 ft=73.4 dBa
WS: 40 ft=62.4 dBa;	WOS: 40 ft=70.9 dBa
WS: 50 ft=60.5 dBa;	WOS: 50 ft=69 dBa

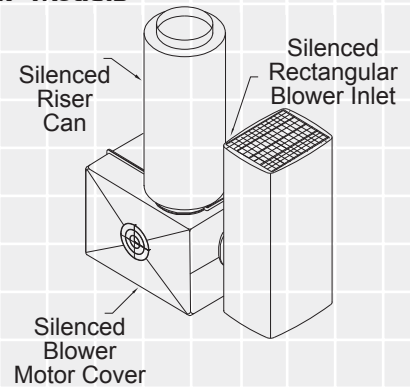
(Proto-Vest's Silencing Package is standard on all of the Untouchable series.)

\*Specifications subject to change without notice.

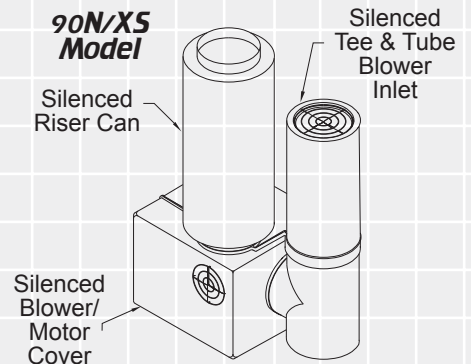
NOTE: Proto-Vest dryer's dimensions will vary with the Silencer Package.



### Stripper & IP Models



### 90N/XS Model



7400 N. Glen Harbor Blvd., Glendale, AZ 85307  
800-521-8218 • 623-872-8300 • Fax 623-872-6150  
www.protovest.com